



RSA-600-004 - SensorSays™

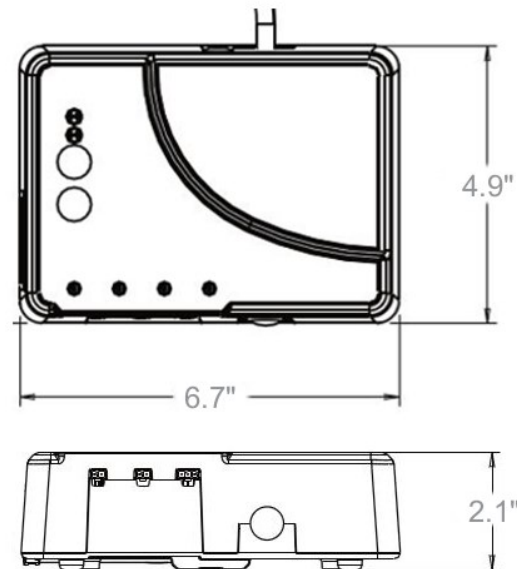
Sensor-Based Cellular Notification System for RDT/ FloodMaster Products

The Reliance Detection Technologies SensorSays RSA-600-004 is a sensor-based 24/7 cellular notification system that provides an automatic SMS text message the minute your RDT or FloodMaster product is activated. Protect your home, your industrial assets or remote assets. Appropriate float switches, level sensors, or even other sensors, can also be connected to the SensorSays unit to monitor most any remote asset to text you when their condition has changed. The two way communications allows you to check your SensorSays status, or to receive an immediate text message alert as soon a device is activated. Our unit can send a text message alert to up to 3 preset numbers in case of unwanted conditions. Additional cellular service is required and is available through the Verizon network for nationwide US coverage.



Specifications	
RSA-600-004	Sensor-Based Cellular Notification System
Sensor Inputs	1 - 12' Interface Cable included 3—Additional inputs (Float sensors sold separately)
Input Power	120VAC ±20% (0.1 A max)
Backup Batteries	Requires 4 Alkaline AA Batteries
Enclosure	NEMA 1 for indoor, basement, or crawlspaces
Weight	1.1 lbs.
On Board Temp. Sensor	-30 to 140°F (±5% Accuracy)
Operating Temperature	Varies based on battery chemistry and manufacturer: 0 to 120°F (Typical Alkaline)
Cellular Radio	CDMA Dual Band 1xRTT (CDMA2000) 800/1900
Certifications	FCC Parts 15,22,24; RoHS Comp.; IC: RSS-132, 133
Approvals	FCC
Warranty	2 Year Parts & Labor

Applications: Immediate Text Message Alert and Audible Alarm When System Activates High/Low Temperature, Loss of Power, and more...



Content	
RSA-600-004	Cellular Notification System w/ 3-Prong Pass Through AC Cord, 12' Interface Cable to RDT/ FloodMaster Unit and Mounting Hardware.

Optional accessories available.



Reliance Detection Technologies, LLC
27 Business Park Drive, Branford, CT 06405

RelianceDetection.com 888-771-4929
• Tel: 203-488-2684 • Fax: 203-481-5036



• info@RelianceDetection.com