



FM-080/FM-180 Total Water Main Shut-Off System

3/4", 1" and 1-1/4" Valve Technical Specifications

FM-080 Shown



- Disables the water supply to your home
- Activates audible alarm and sends signal to home security system
- It must be manually reset by resident before the system will allow water to flow

Dimensions

Both FM-080 and FM-180 available with valve sizes 3/4", 1" and 1-1/4" dia.

Model #	Description	Alarm Control L x W x H	Sensor L x H	Wall Plug L x W x H	Sensor Range
FM-080	Total Water Main Shut-Off	4" x 1.5" x 5.25"	2.5" x .75"	2.25" x 2" x 3"	7' 2"
FM-180	Wireless Total Water Main Shut-Off	4" x 1.5" x 5.25"	3" x 1"	2.25" x 2" x 3"	100' max.

Direct Mount 2-Way Lead-free Ball Valve*

Brass ball valve, female/female, with ISO 5211 pad for actuator

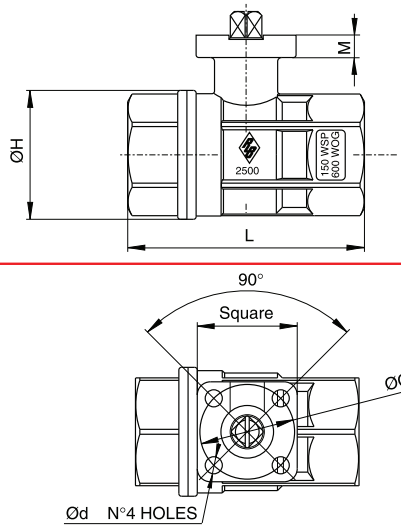
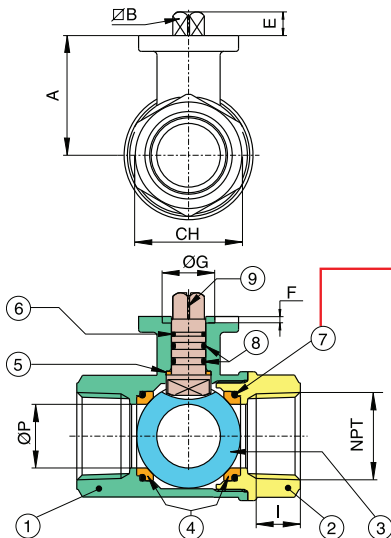
• WATER QUALITY ANSI/NSF 61 ANNEX G

- Full port from 3/4" to 1-1/4"
- Pressure rating 600 WOG - 150 WSP
- Temperature to 366°F
- Blow out proof stem, chrome plated brass ball
- P.T.F.E. seats with O-RING backing for low operating torque
- P.T.F.E. seats and double O-RING stem packing
- 100% electronically tested in the open and closed position at 80 psi

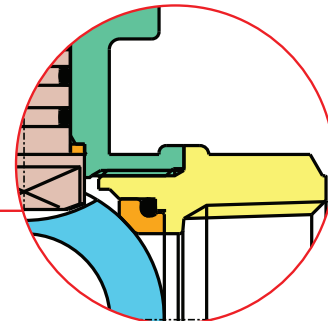
N POS	Part Name	Material	N PCS
1	Body	Low Lead Brass*	1
2	End Connection	Low Lead Brass*	1
3	Ball	Low Lead Brass* Tea Coated	1
4	Ball Seat	P.T.F.E.	2
5	Thrust Washer	P.T.F.E.	1
6	Stem Seal	P.T.F.E.	1
7	O-RING	FKM (Viton®)	2
8	O-RING	FKM (Viton®)	2
9	Stem	Low Lead Brass*	1

* Lead free refers to the wetted surface of pipe, fittings and fixtures in potable water systems that have a weighted average lead content = 0.25%

Source: California Health & Safety Code (116875).
Vermont Act 193



O-RING BACK P.T.F.E. SEAT



CONNECTION: ANSI B 1.20.1

(in-Lbs) Torque values in the table below are measured in laboratory tests under the following conditions:
TEMPERATURE: 68° F
PRESSURE: 0 PSI
FLUID: PURIFIED WATER

Size	Square	A	∠B	øC	Ød	E	F	øG	øH	I	L	CH	M	øP	CV	psi	Lbs	in-Lbs*
3/4"	1.50	1.36	0.35	1.42 (ISO F03)	0.24	0.35	0.08	0.98	1.57	0.64	2.99	1.26	0.22	0.75	34.10	580	0.40	53.10
1"	1.50	1.79	0.35	1.42 (ISO F03)	0.24	0.35	0.12	0.98	1.93	0.75	3.54	1.61	0.24	0.95	49.71	580	0.75	53.10
1-1/4"	1.97	1.93	0.35	1.42 (ISO F03)	0.24	0.35	0.12	0.98	2.30	0.84	4.02	1.97	0.24	1.18	102.88	580	1.05	53.10

MA Board of Registration of Plumbers Approval from 11/07/2012 – 11/07/2015 Code # P3-1112-247

Protect Your Home and Possessions with a FLOODMASTER • www.floodmaster.com

FloodMaster, LLC • 27 Business Park Drive • Branford, CT 06405 • Toll free: 888-771-4929 • 203-488-4477 • Email: info@floodmaster.com

© Copyright 2014 FloodMaster®, LLC – A Madison Company – 0214



FM-080/FM-180 Total Water Main Shut-Off System

3/4", 1" and 1-1/4" Valve Technical Specifications

Electric Actuator

- Housing made from a V0 self-extinguish class techno-polymer material.
- Direct connection of actuator to valves is made via a painted die-cast aluminum plate with a dual drilled ISO 5211 interface.
- Electronic circuit automatically adjusts the motor speed, (depending on torque variations), to keep cycle time constant.
- Electronic System and torque limiter are standard.
- Standard heater is activated once actuator is powered, and when the temperature inside the housing drops below 77° F to prevent condensation.



Electric Actuator Specifications

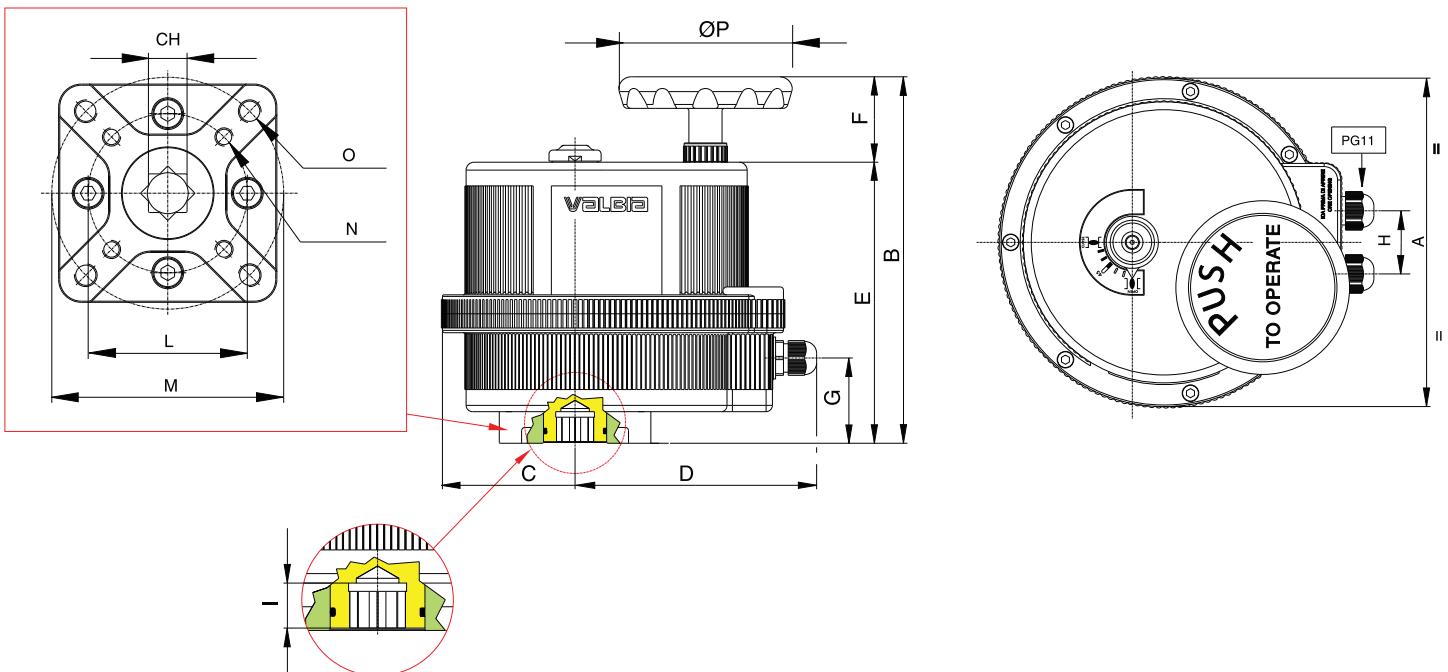
Max Working Torque (in-Lbs.):	133
Voltage (V) - Low Voltage:	24V AC
Working Time (sec):	10
Torque Limiter:	STD
Duty Rating:	50%
Protection:	IP65* NEMA 4 X
Rotation:	90°
Upon Request:	180°
Manual Intervention:	STD
Position Indicator:	STD

Working Temperature:	-4°F + 131°F
Heater:	STD
Drilling ISO 5211 Pad:	F03 - F05
Square Drive:	0.43
Weight (Lbs.):	3.09

Electric Actuator Power Consumption

Nominal Voltage:	24V AC
Absorbed Current:	0.6A
Absorbed Power:	15 VA
Frequency:	50/60 Hz

* UL pending



Model	DRILLING ISO 5211	CH	A	B	C	D	E	F	G	H	I	L	M	N	O	ØP
VB015	F03-F05*	0.43	4.84	5.57	1.67	4.74	4.96	0.61	4.06	1.26	0.55	1.42	1.97	10-24 UNC 2BX0.47	1/4-20 UNC 2BX0.55	2.68

* Upon request F04 only

MA Board of Registration of Plumbers Approval from 11/07/2012 – 11/07/2015 Code # P3-1112-247

Protect Your Home and Possessions with a FLOODMASTER • www.floodmaster.com

FloodMaster, LLC • 27 Business Park Drive • Branford, CT 06405 • Toll free: 888-771-4929 • 203-488-4477 • Email: info@floodmaster.com

© Copyright 2014 FloodMaster®, LLC – A Madison Company – 0214