



FM-080/FM-180 Total Water Main Shut-Off System

3" and 4" Valve Technical Specifications



- Disables the water supply to your home
- Activates audible alarm and sends signal to home security system
- It must be manually reset by resident before the system will allow water to flow

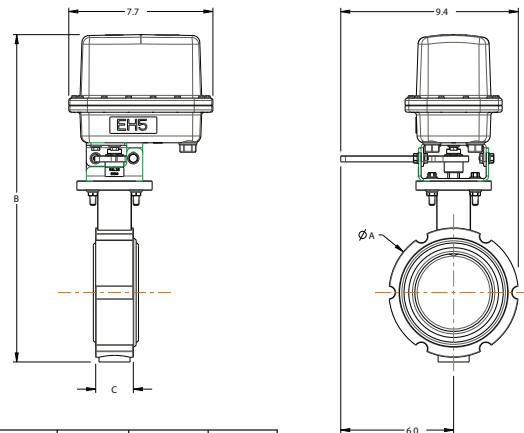
Dimensions

Both FM-080 and FM-180 available with valve sizes 3" and 4" dia.

Model #	Description	Alarm Control L x W x H	Sensor L x H	Wall Plug L x W x H	Sensor Range
FM-080	Total Water Main Shut-Off	4" x 1.5" x 5.25"	2.5" x .75"	2.25" x 2" x 3"	7' 2"
FM-180	Wireless Total Water Main Shut-Off	4" x 1.5" x 5.25"	3" x 1"	2.25" x 2" x 3"	100' max.

Butterfly Valve

- 3" and 4" Butterfly Valve
- Max PSI 150 at 70°F (3")
- Max PSI 50 at 70°F (4")
- Disk: 316 SS
- Stem: 316 SS
- Valve Body: Cast Iron (3")
Cast Aluminum (4")
- Seat: EPDM
- Temperature Range of EPDM Seat: -40°F to 250°F



Butterfly Valves		
Size \varnothing	Weight (lbs.)*	C _v
3"	10	720
4"	8	1366

C_v = GPM at 1 PSI drop, water

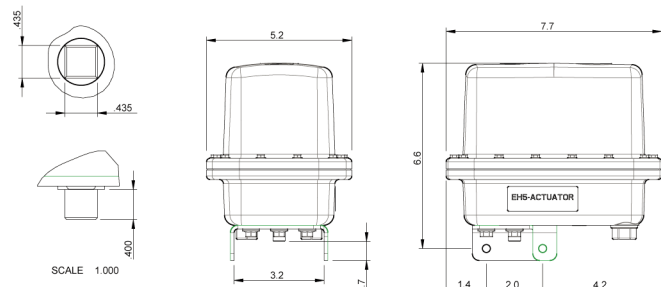
Size (\varnothing)	A	B	C
3"	5.4	15.7	1.8
4"	6.9	17.4	2.0

Electric Actuator

- Heavy-duty Motorized Valve Actuator
- Valve Sizes: 3" and 4"
- 24V AC
- Torque Values:
Max. Breakaway Torque: 450 in./lbs.
Max. Operating Torque: 300 in./lbs.

Cycle Time and Voltage:
3 seconds @ 24V AC

Actuator housing rated NEMA 6P (waterproof), NEMA 7D (ignition safe) and exceeds the USCG Electrical Systems Standard.



MA Board of Registration of Plumbers Approval from 11/07/2012 – 11/07/2015 Code # P3-1112-247

Protect Your Home and Possessions with a FLOODMASTER • www.floodmaster.com

FloodMaster, LLC • 27 Business Park Drive • Branford, CT 06405 • Toll free: 888-771-4929 • 203-488-4477 • Email: info@floodmaster.com

© Copyright 2014 FloodMaster®, LLC – A Madison Company – 0214