



FM-080/FM-180 Total Water Main Shut-Off System

1-1/2" and 2" Valve Technical Specifications



- Disables the water supply to your home
- Activates audible alarm and sends signal to home security system
- It must be manually reset by resident before the system will allow water to flow
- Full port lead-free brass ball valve; suitable for potable water

Dimensions

Both FM-080 and FM-180 available with valve sizes 1-1/2" and 2" dia.

| Model # | Description | Alarm Control L x W x H | Sensor L x H | Wall Plug L x W x H | Sensor Range |
|---------|------------------------------------|----------------------------|-----------------|------------------------|-----------------|
| FM-080 | Total Water Main Shut-Off | 4" x 1.5" x 5.25" | 2.5" x .75" | 2.25" x 2" x 3" | 7' 2" |
| FM-180 | Wireless Total Water Main Shut-Off | 4" x 1.5" x 5.25" | 3" x 1" | 2.25" x 2" x 3" | 100' max. |

Direct Mount 2-Way Lead-free Ball Valve*

Brass ball valve, female/female, with ISO 5211 pad for actuator

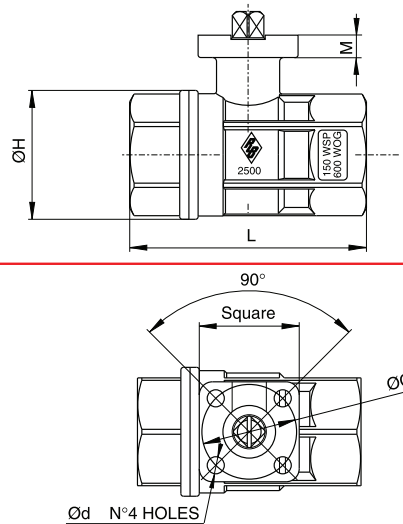
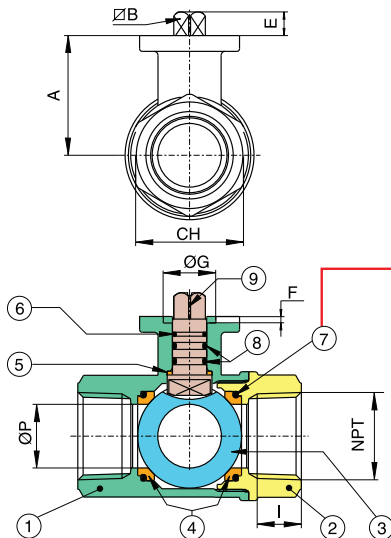
- **WATER QUALITY ANSI/NSF 61 ANNEX G**
- Pressure rating 600 WOG - 150 WSP
- Temperature to 366°F
- Blow out proof stem, chrome plated brass ball
- P.T.F.E. seats with O-RING backing for low operating torque
- P.T.F.E. seats and double O-RING stem packing
- 100% electronically tested in the open and closed position at 80 psi



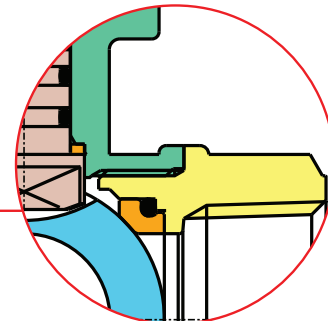
| N POS | Part Name | Material | N PCS |
|-------|----------------|-------------------------------|-------|
| 1 | Body | Low Lead Brass* | 1 |
| 2 | End Connection | Low Lead Brass* | 1 |
| 3 | Ball | Low Lead Brass* Tea Coated | 1 |
| 4 | Ball Seat | P.T.F.E. | 2 |
| 5 | Thrust Washer | P.T.F.E. | 1 |
| 6 | Stem Seal | P.T.F.E. | 1 |
| 7 | O-RING | FKM (Viton®) | 2 |
| 8 | O-RING | FKM (Viton®) | 2 |
| 9 | Stem | Low Lead Brass* | 1 |

* Lead free refers to the wetted surface of pipe, fittings and fixtures in potable water systems that have a weighted average lead content = 0.25%

Source: California Health & Safety Code (116875). Vermont Act 193



O-RING BACK P.T.F.E. SEAT



CONNECTION: ANSI B 1.20.1

(in-Lbs) Torque values in the table below are measured in laboratory tests under the following conditions:
TEMPERATURE: 68°F
PRESSURE: 0 PSI
FLUID: PURIFIED WATER

| Size | Square | A | ∠B | øC | Ød | E | F | øG | øH | I | L | CH | M | øP | CV | psi | Lbs | in-Lbs* |
|--------|--------|------|------|----------------|------|------|------|------|------|------|------|------|------|------|--------|-----|------|---------|
| 1-1/2" | 1.97 | 2.52 | 0.43 | 1.97 (ISO F05) | 0.28 | 0.43 | 0.12 | 1.38 | 2.87 | 0.84 | 4.49 | 2.17 | 1.39 | 1.50 | 265.88 | 580 | 1.73 | 150.46 |
| 2" | 1.97 | 2.88 | 0.43 | 1.97 (ISO F05) | 0.28 | 0.43 | 0.12 | 1.38 | 3.60 | 1.01 | 5.43 | 2.76 | 0.31 | 1.98 | 306.34 | 580 | 2.98 | 150.46 |

MA Board of Registration of Plumbers Approval from 11/07/2012 – 11/07/2015 Code # P3-1112-247

Protect Your Home and Possessions with a FLOODMASTER • www.floodmaster.com

FloodMaster, LLC • 27 Business Park Drive • Branford, CT 06405 • Toll free: 888-771-4929 • 203-488-4477 • Email: info@floodmaster.com

© Copyright 2014 FloodMaster®, LLC – A Madison Company – 0214



FM-080/FM-180 Total Water Main Shut-Off System

1-1/2" and 2" Valve Technical Specifications

Electric Actuator

- Housing made from a V0 self-extinguish class techno-polymer material.
- Direct connection of actuator to valves is made via a painted die-cast aluminum plate with a dual drilled ISO 5211 interface.
- Electronic circuit automatically adjusts the motor speed, (depending on torque variations), to keep cycle time constant.
- Electronic System and torque limiter are standard.
- Standard heater is activated once actuator is powered, and when the temperature inside the housing drops below 77° F to prevent condensation.



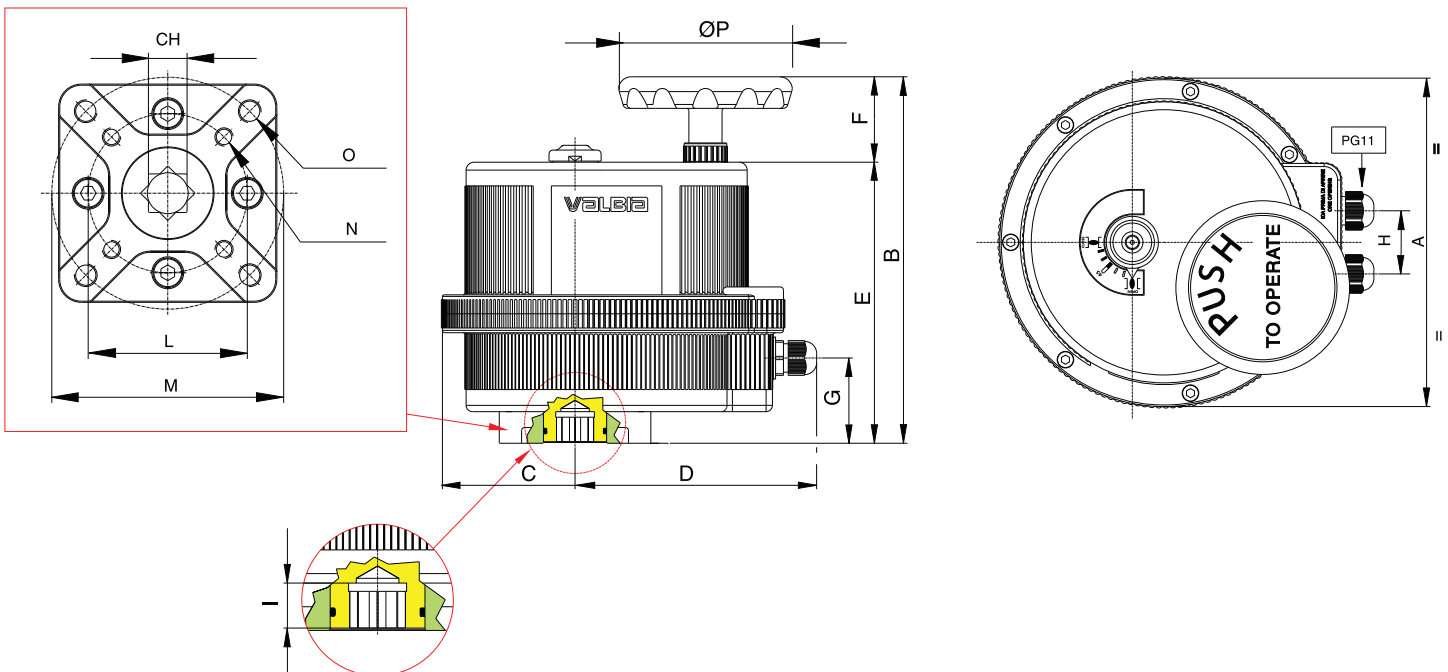
Electric Actuator Specifications

| | | | |
|-------------------------------|-------------------|------------------------|--------------|
| Max Working Torque (in-Lbs.): | 266 | Working Temperature: | -4°F + 131°F |
| Voltage (V) - Low Voltage: | 24V AC | Heater: | STD |
| Working Time (sec): | 8 | Drilling ISO 5211 Pad: | F03 - F05 |
| Torque Limiter: | STD | Square Drive: | 0.43 |
| Duty Rating: | 75% | Weight (Lbs.): | 5.07 |
| Protection: | IP65-67* NEMA 4 X | | |
| Rotation: | 90° | | |
| Upon Request: | 180° or 270° | | |
| Manual Intervention: | STD | | |
| Position Indicator: | STD | | |

Electric Actuator Power Consumption

| | |
|-------------------|----------|
| Nominal Voltage: | 24V AC |
| Absorbed Current: | 1.0A |
| Absorbed Power: | 24 VA |
| Frequency: | 50/60 Hz |

* UL pending



| Model | DRILLING ISO 5211 | CH | A | B | C | D | E | F | G | H | I | L | M | N | O | ØP |
|-------|-------------------|------|------|------|------|------|------|------|------|------|------|------|------|-------------------|--------------------|------|
| VB030 | F03-F05* | 0.43 | 6.18 | 7.40 | 2.38 | 5.12 | 5.75 | 1.65 | 1.30 | 1.42 | 0.47 | 1.42 | 1.97 | 10-24 UNC 2BX0.47 | 1/4-20 UNC 2BX0.55 | 2.56 |

* Upon request F04 only

MA Board of Registration of Plumbers Approval from 11/07/2012 – 11/07/2015 Code # P3-1112-247

Protect Your Home and Possessions with a FLOODMASTER • www.floodmaster.com

FloodMaster, LLC • 27 Business Park Drive • Branford, CT 06405 • Toll free: 888-771-4929 • 203-488-4477 • Email: info@floodmaster.com

© Copyright 2014 FloodMaster®, LLC – A Madison Company – 0214